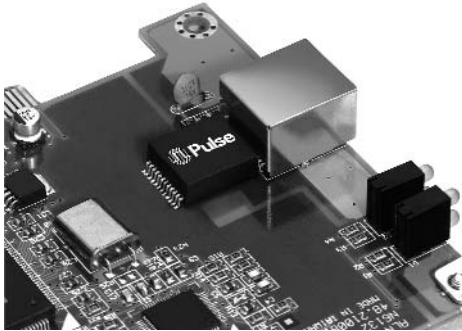


1000BASE-T MAGNETICS MODULES

Designed to Support 1:1 Turns Ratio Transceivers



- ➊ Designed for long haul Gigabit Ethernet (10/100/1000BASE-T) applications
- ➋ H5008/9 designed to fit behind 1x1 RJ45 connector
- ➌ Cable interface for isolation and low common mode emissions
- ➍ Compliant with IEEE 802.3ab standard for 1000BASE-T

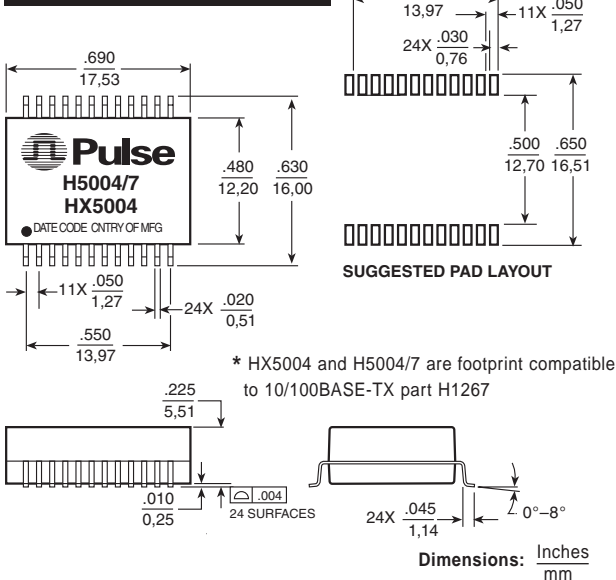
Electrical Specifications @ 25°C — Operating Temperature 0°C to 70°C

Part Number	Number of Ports	Insertion Loss (dB MAX)	Return Loss (dB MIN)						Differential to Common Mode Rejection (dB MIN)			Crosstalk (dB MIN)			Hipot (Vrms MIN)
			1-100 Mhz	1-30 MHz	40 MHz	50 MHz	60-80 MHz	100 MHz	30 MHz	60 MHz	100 MHz	30 MHz	60 MHz	100 MHz	
H5004 ¹	1	1	-18	-18	-16	-12	-10	-43	-37	-33	-45	-40	-35	1500	
HX5004 ^{1,2}	1	1	-18	-18	-16	-12	-10	-43	-37	-33	-45	-40	-35	1500	
H5007 ^{1,3}	1	1	-18	-18	-16	-12	-10	-43	-37	-33	-45	-40	-35	1500	
H5008	1	1	-18	-18	-16	-12	-10	-43	-37	-33	-45	-40	-35	1500	
HX5008 ²	1	1	-18	-18	-16	-12	-10	-43	-37	-33	-45	-40	-35	1500	
H5009	1	1	-18	-18	-16	-12	-10	-43	-37	-33	-45	-40	-35	1500	
HX5009 ²	1	1	-18	-18	-16	-12	-10	-43	-37	-33	-45	-40	-35	1500	
H5012 ³	2	1.4	-16	-14.4	-13.1	-12	-10	-45	-40	-35	-43.5	-37.5	-33	1500	
H5014	2	1.4	-16	-14.4	-13.1	-12	-10	-45	-40	-35	-43.5	-37.5	-33	1500	
HX5014 ²	2	1.4	-16	-14.4	-13.1	-12	-10	-45	-40	-35	-43.5	-37.5	-33	1500	
H5020	2	1	-18	-14.4	-13.1	-12	-10	-40	-35	-30	-40	-35	-30	1500	
HX5020 ²	2	1	-18	-14.4	-13.1	-12	-10	-40	-35	-30	-40	-35	-30	1500	

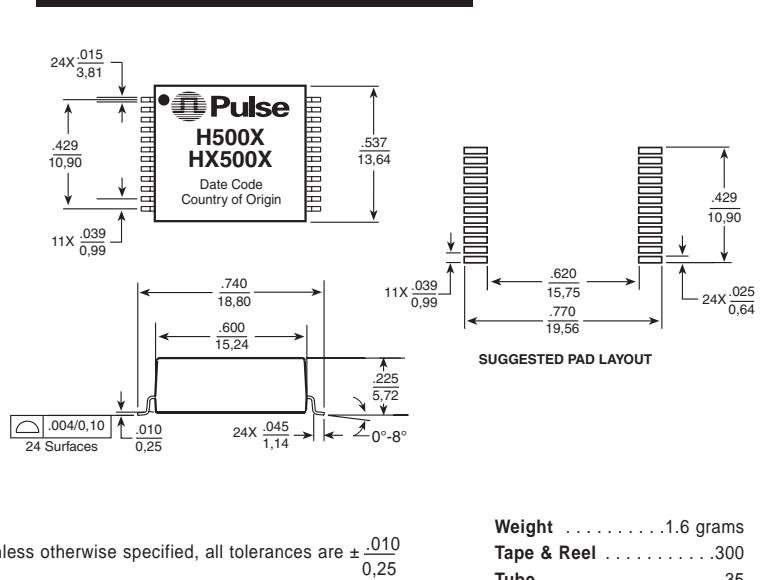
1. Footprint compatible product to H1267
2. HX: Extended temperature version -40°C to +85°C
3. Extended temperature part not available, select HX5004 or HX5014
4. Add "T" to the end of the part number for tape and reel option

Mechanics

H5004, HX5004, H5007*



H5008, HX5008, H5009, HX5009



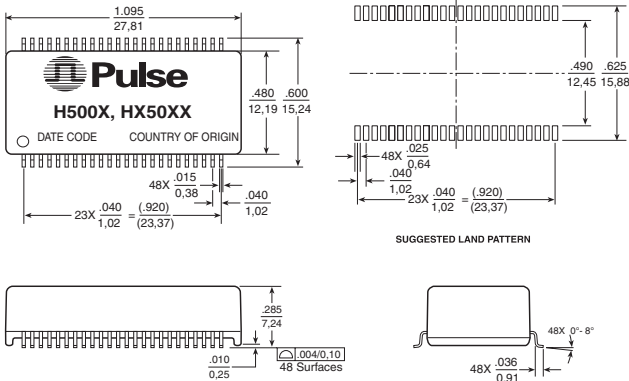
1000BASE-T MAGNETICS MODULES

Designed to Support 1:1 Turns Ratio Transceivers



Mechanicals (continued)

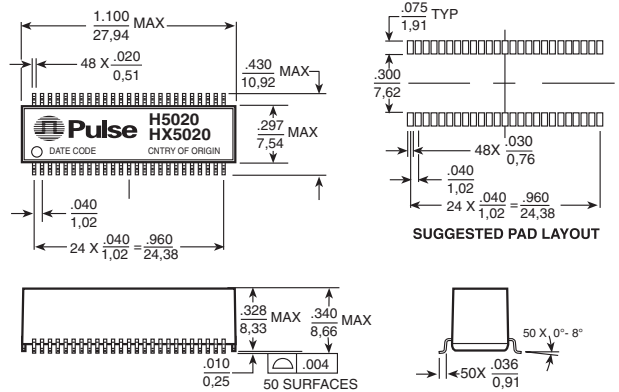
H5012, H5014, HX5014



Weight 4.0 grams
Tape & Reel250/reel
Tube15/tube

Dimensions: $\frac{\text{Inches}}{\text{mm}}$
Unless otherwise specified, all tolerances are $\pm \frac{.010}{0,25}$

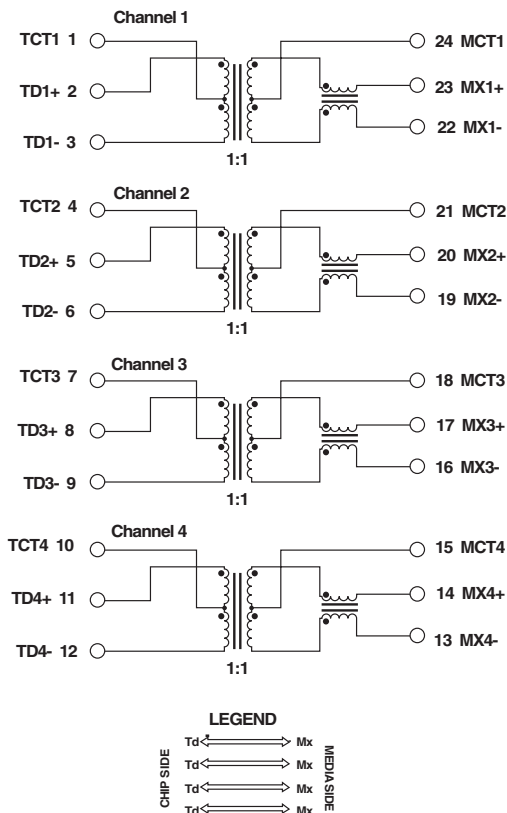
H5020, HX5020



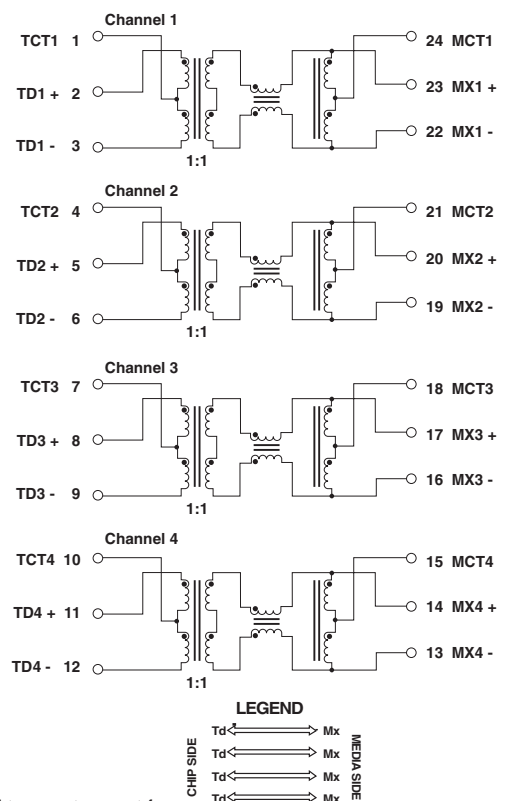
Weight 1.6 grams
Tape & Reel250/reel
Tube15/tube

Schematics

H5004, HX5004, H5009



H5007*, H5008, HX5008



* Extended temperature part for H5007 (HX5007) is not available. Select HX5004.

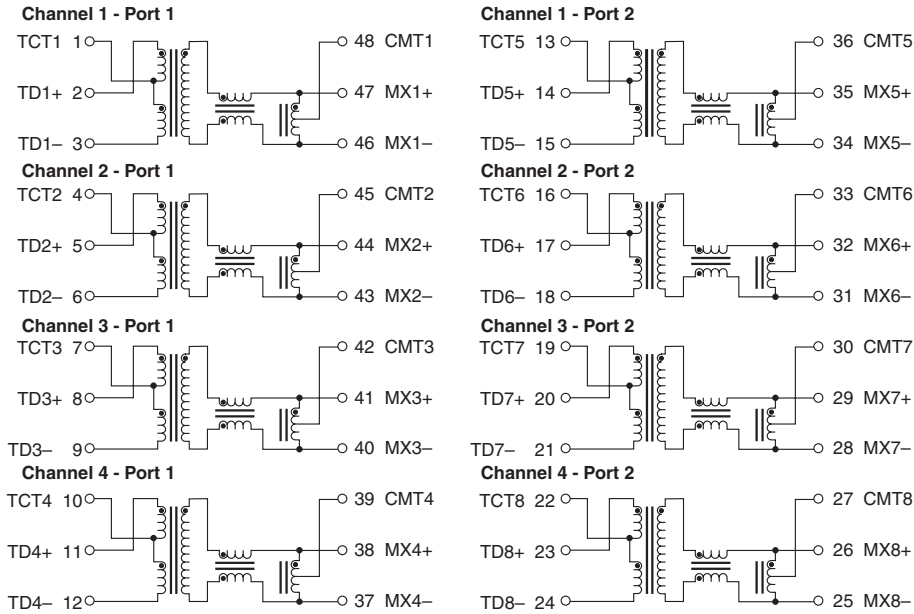
1000BASE-T MAGNETICS MODULES

Designed to Support 1:1 Turns Ratio Transceivers



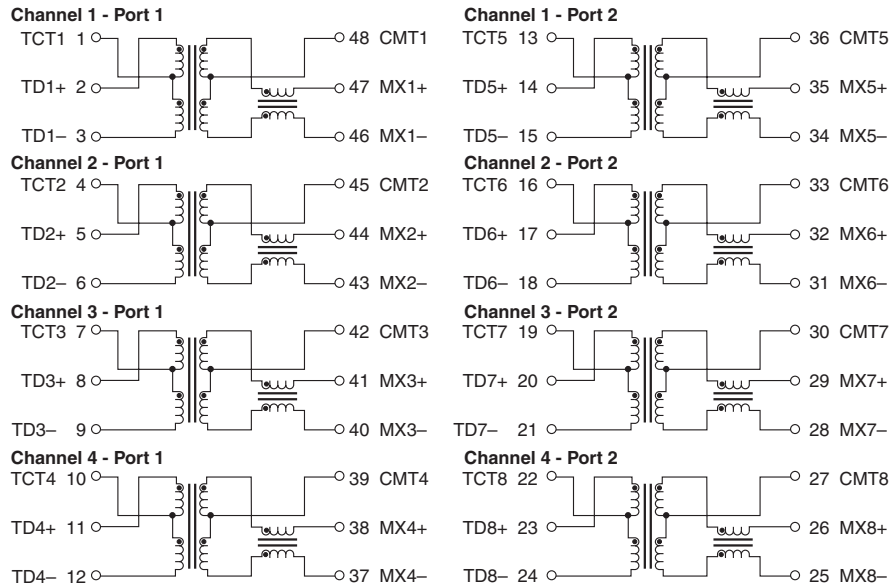
Schematics (continued)

H5012 *



* Extended temperature part for H5012 is not available. Select HX5014.

H5014, HX5014



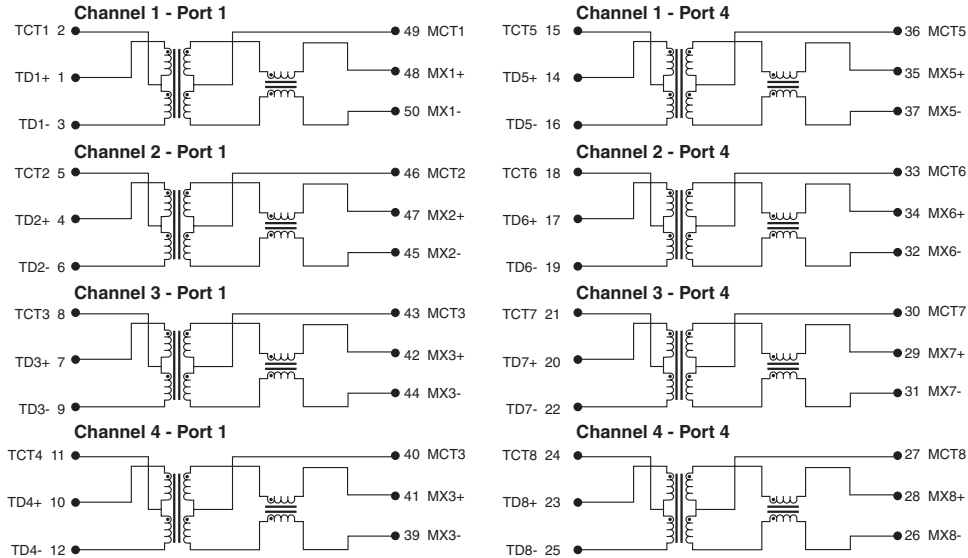
1000BASE-T MAGNETICS MODULES

Designed to Support 1:1 Turns Ratio Transceivers

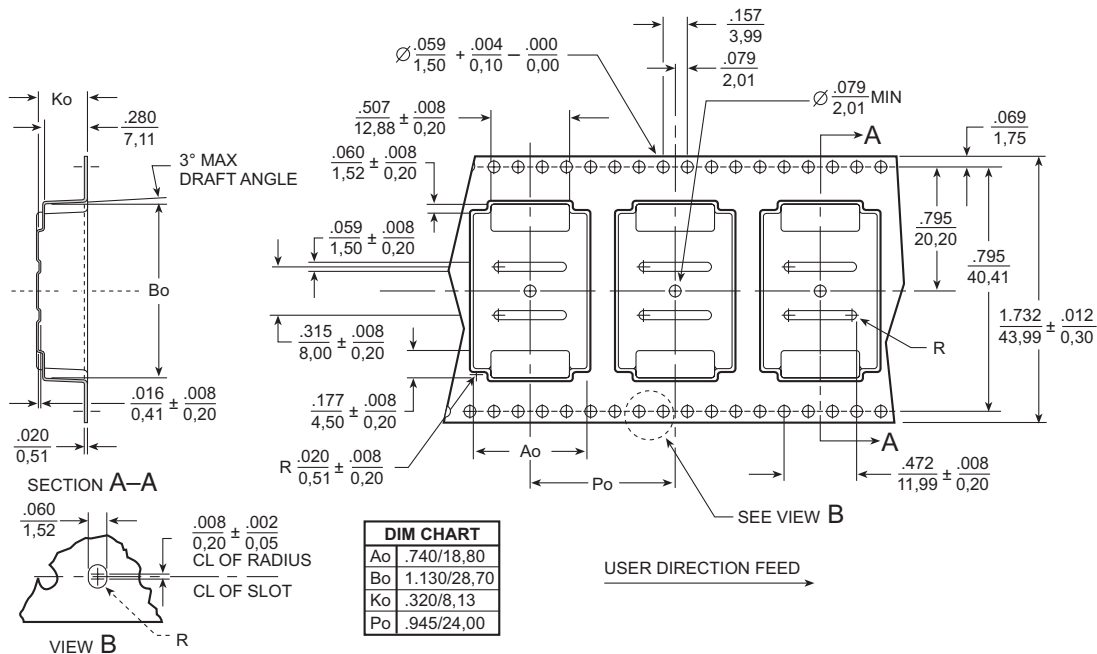


Schematics (continued)

H5020, HX5020



Tape & Reel Specifications



For More Information:

UNITED STATES (Worldwide)	UNITED KINGDOM (Northern Europe)	FRANCE (Southern Europe)	SINGAPORE (Southern Asia)	TAIWAN, R.O.C. (Northern Asia)	HONG KONG (Great China)	DISTRIBUTOR
12220 World Trade Drive San Diego, CA 92128 U.S.A. http://www.pulseeng.com TEL: 858 674 8100 FAX: 858 674 8262	1 & 2 Huxley Road The Surrey Research Park Guildford, Surrey GU2 5RE United Kingdom TEL: 44 1483 401700 FAX: 44 1483 401701	Zone Industrielle F-39270 Orgelet France TEL: 33 3 84 35 04 04 FAX: 33 3 84 25 46 41	150 Kampong Ampat #07-01/02 KA Centre Singapore 368324 TEL: 65 6287 8998 FAX: 65 6280 0080	3F-4, No. 81, Sec. 1 HsinTai Wu Road Hsi-Chih, Taipei Hsien Taiwan, R.O.C. Tel: 886 2 2698 0228 FAX: 886 2 2698 0948	19/F, China United Plaza 1008 Tai Nan West Street Cheung Sha Wan, Kowloon Hong Kong, China TEL: 852 2788 6588 FAX: 852 2776 1055	

Performance warranty of products offered on this data sheet is limited to the parameters specified. Data is subject to change without notice. Other brand and product names mentioned herein may be trademarks or registered trademarks of their respective owners.

© Copyright, 2004, Pulse Engineering, Inc. All rights reserved.